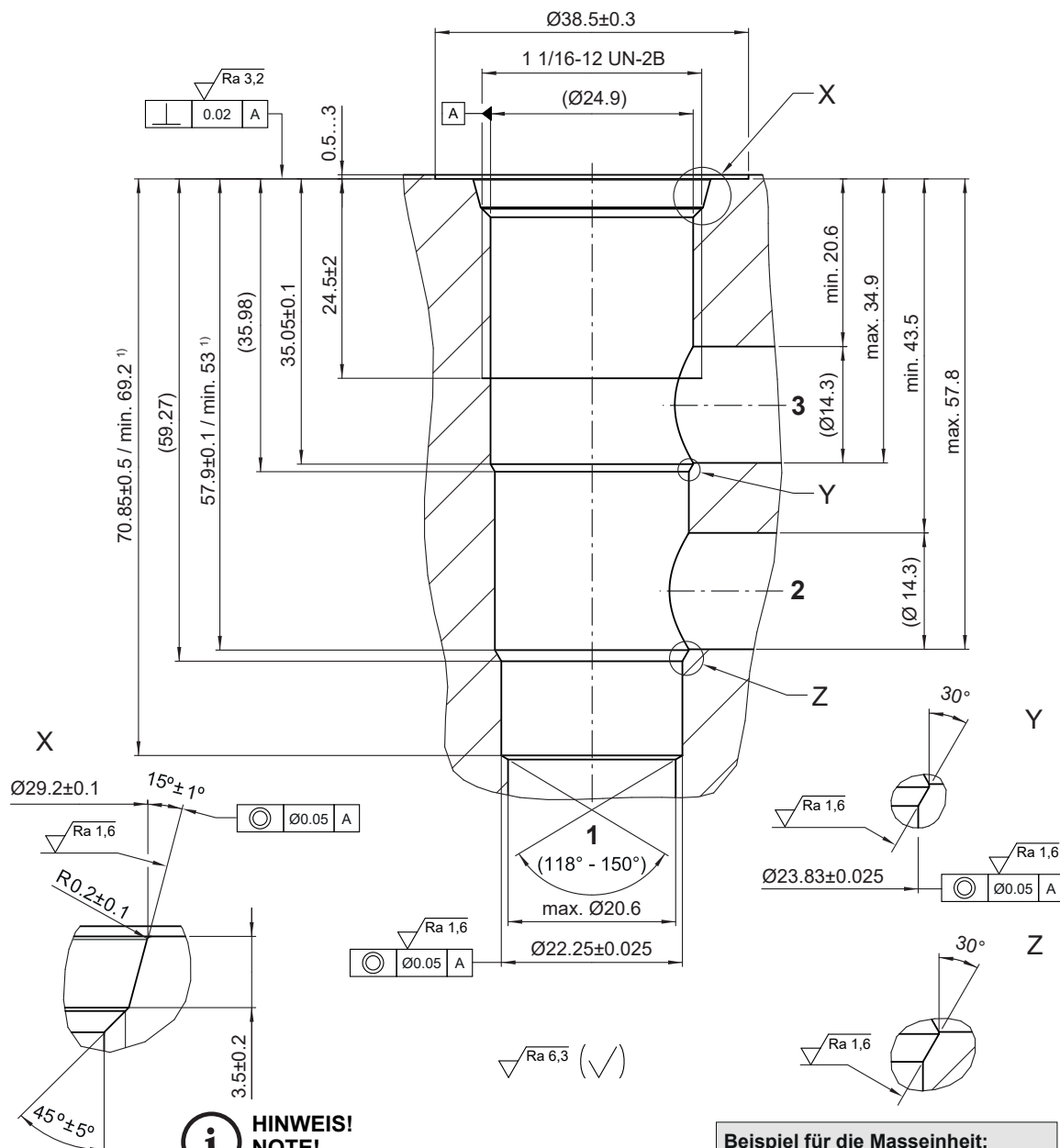


General information

Cavity

Type series: HC/C1230

Dimensions and sectional view



**HINWEIS!
NOTE!**

¹⁾ Passungstiefe
Minimum depth of specified diametral tolerance

**Beispiel für die Masseinheit:
Example for the dimensional units:**

0.79 = 0.79 mm millimeter

Installation information

**ATTENTION!**

You must maintain the specified positional and diametral tolerances. To ensure trouble-free operation of the screw-in cartridges, we strongly recommend that pilot drilling, boring, reaming and cavity thread-cutting are always performed in one setup.

**NOTE!**

Cavity type to factory standard.

**NOTE!**

We offer form tool sets for sale or hire. See data sheet 400-P-040011 for further information.